

FRENCH EAUX

Les eaux purifiées à volonté



Distinctive
by design.

BAR

U5

FRENCH EAUX

Les eaux purifiées à volonté

Designing a hot tap revolution

U5 is our first-ever hot tap for all seasons. We've pushed the boundaries of design to build a four-way tap system that in no way sacrifices water quality, performance, energy efficiency, or aesthetics. The newest addition has been built from the ground up with premium aesthetics and our most advanced dispensing innovations.



Distinctive
by design.

U5

FRENCH EAUX

Les eaux purifiées à volonté

Cool touch

We've solved one of the biggest challenges of hot water dispensing, temperature control. U5 dispenses hot water at 92 degrees and then chilled or sparkling water from the same tap without heat transfer to chilled water feeds or the faucet.

Sustainability at the heart

U5 is built in the UK using proprietary sub-assemblies from nearshore suppliers, reducing the supply-chain carbon footprint. Recyclable components combined with solar-powered manufacturing processes make U5 a highly sustainable choice.

Future-proof digital connectivity

U5 meets the needs of the modern workplace with industry-leading digital connectivity. It's IoT-ready and comes with touchless Bluetooth® operation as standard. An intelligent troubleshooting module emits blinking code to support users with effective maintenance.

Single undercounter ProCore®

Beneath the counter is a single, convenient unit housing hot, cold, ambient and sparkling components. It's low maintenance and fitted with the new eco R290 gas. The colour-coated GreenCoat® steel construction makes it sustainable and durable.

Energy-saving ECO mode

U5 is consistently energy efficient, making it both economical and eco-friendly. In addition to our high-performance cooling technology, Dry Chill®, U5 has an intelligent sensor which sends the appliance into standby mode during low light or after a period of inactivity.

Revolutionary modularity

U5 bears the iconic hallmark of all next-generation Frencheaux. The universally compatible parts increase maintenance efficiency for distributors and demonstrate a commitment to outstanding reliability for all users.

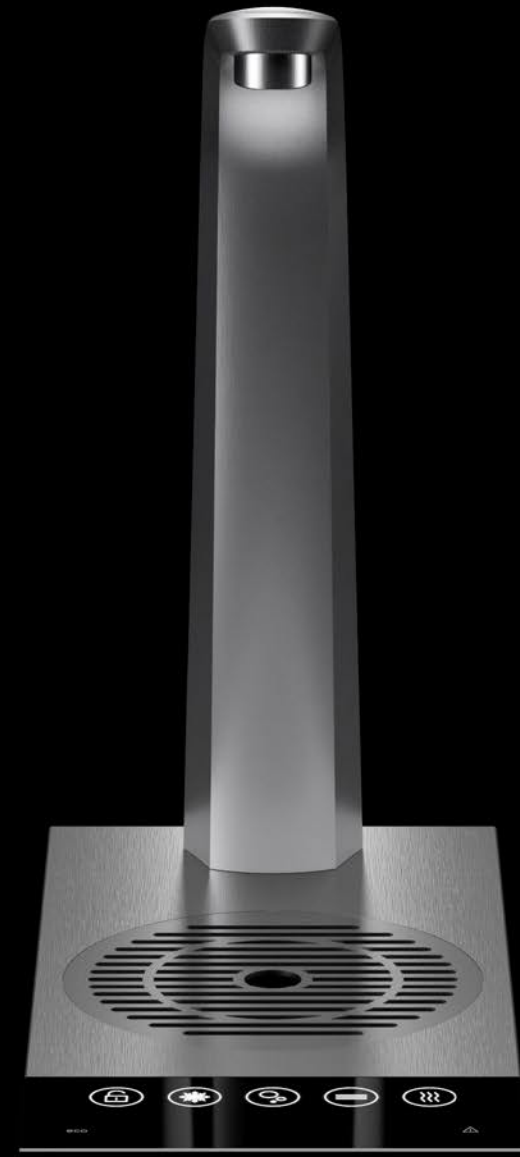
Advanced ECO-UV protection

As an option, U5 can be fitted with Viovandl®, a mercury-free, chemical-free and energy-efficient LED-UV water purification system. For complete peace of mind, it also includes additional hygiene features via Frencheaux Totality® methodology.

Easy-fit ventilation kit

U5 ProCore® fits into the same cutouts as a T2 ProCore® allowing for easy transition from one to the other with no adaptation. The ProCore® comes complete with an easy-fit ventilation kit, which increases the efficiency of ProCore® by allowing a continuous cycle of cool air.

Distinctive
by design.



U5

FRENCH EAUX

Les eaux purifiées à volonté

Water system



Dry Chill®

Configurations



Integrated Tap

Water options



Chilled



Sparkling



Ambient



Hot

Tap finishes



Steel



Black

Uncompromising,
original design

Distinctive
by design.



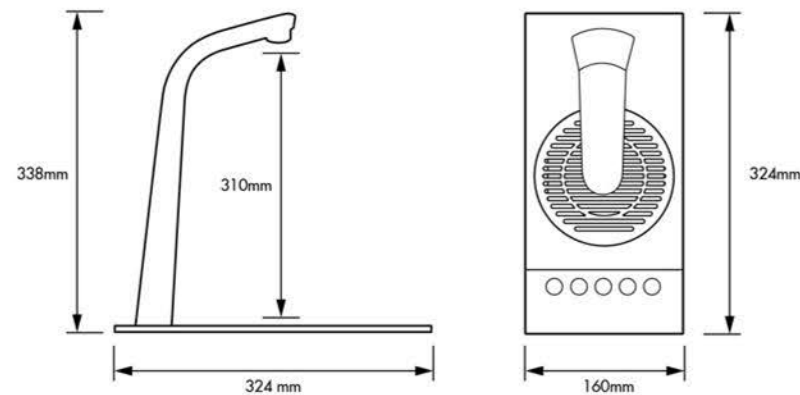
U5

FRENCH EAUX

Les eaux purifiées à volonté

U5 Specifications	U5 ProCore	Dispense options	Max power consumption	Black	Steel	Black ECO-UV	Steel ECO-UV
Power requirements Hertz 50/Volts 230-240	Throughput flow rate Chilled & Sparkling 50 LPH / 60 BPH Hot 16 LPH / 90 CPH	Chilled, Ambient & Hot	1670W	743160	743170	743180	743190
Water system Dry Chill®		Chilled, Sparkling, Ambient & Hot	1670W	743240	743250	743260	743270
Water temperatures Chilled 2°C/Hot 92°C	U5 ProCore+	Dispense options	Max power consumption	Black	Steel	Black ECO-UV	Steel ECO-UV
Tap height 338mm		Throughput flow rate Chilled & Sparkling 80 LPH / 90 BPH Hot 16 LPH / 90 CPH	Chilled, Ambient & Hot	1710W	743480	743490	743500
Dispense height 310mm	LPH = Litres per hour BPH = Bottles per hour CPH = Cups per hour	Chilled, Sparkling, Ambient & Hot	1710W	743560	743570	743580	743590
ProCore dimensions including Simple-fit Ventilation Base W320xD471xH400mm (Includes 20mm overhang)							

Distinctive
by design.



U5